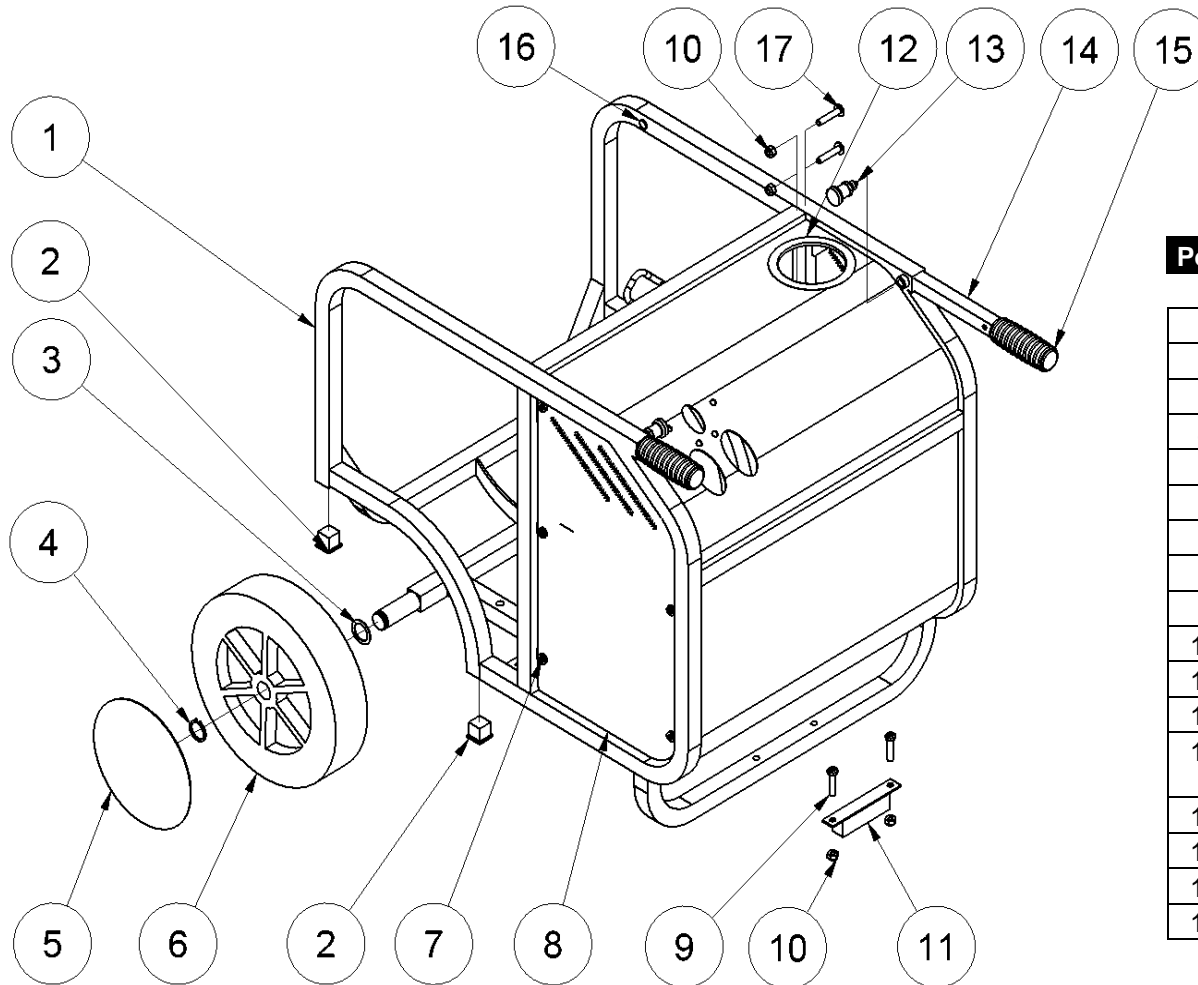


# HPP13/HPP13 FLEX spare parts list

## From serial No. 6109

Fig. 1

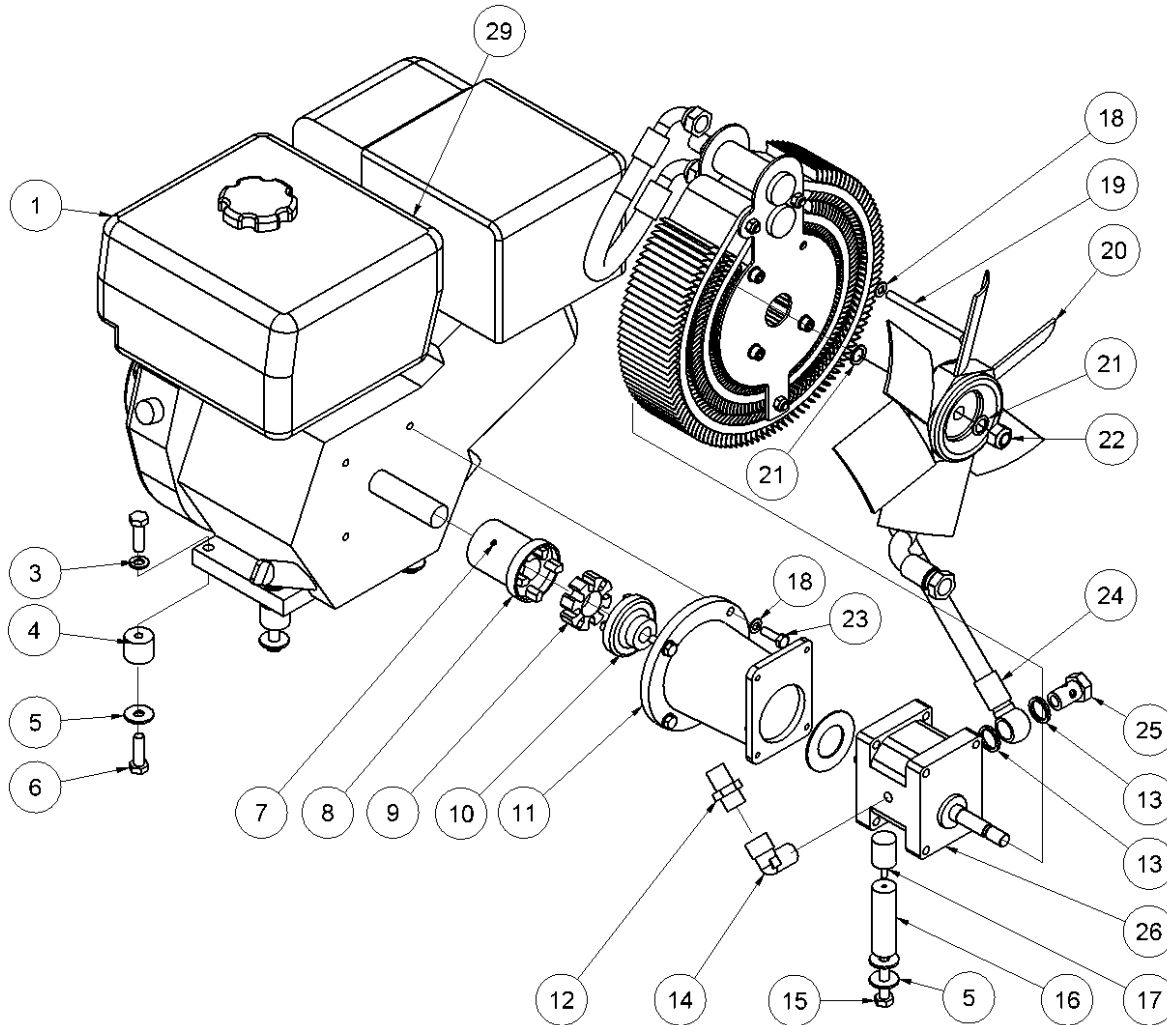


Pos.	Part No.	Description	Pcs.
1	8222360	Chassis complete HPP13/13 FLEX	1
2	7721125	Tube plug 25x25	4
3	7621100	Shim ring 25/35/1 mm	2
4	7621098	Retaining ring 25x2	2
5	7721140	Wheel cover	2
6	7721139	Wheel HPP13/18	2
7	7621042	Screw M8x10	10
8	8222361	Side cover set HPP13/13 FLEX	1
9	7621046	Screw M8x35	2
10	7621010	Lock nut M8	4
11	8721095	Rubber foot	1
12	9021563	Rubber band	1
13	7721197	Bolt <i>Loctite 243</i>	2
14	9022429	Pull-out handle w/rubber grip	2
15	-	Rubber grip (incl. In 9022429)	-
16	7722323	Plastic plug	4
17	7621795	Screw M8x40	2

# HPP13/HPP13 FLEX spare parts list

## From serial No. 6109

Fig. 2

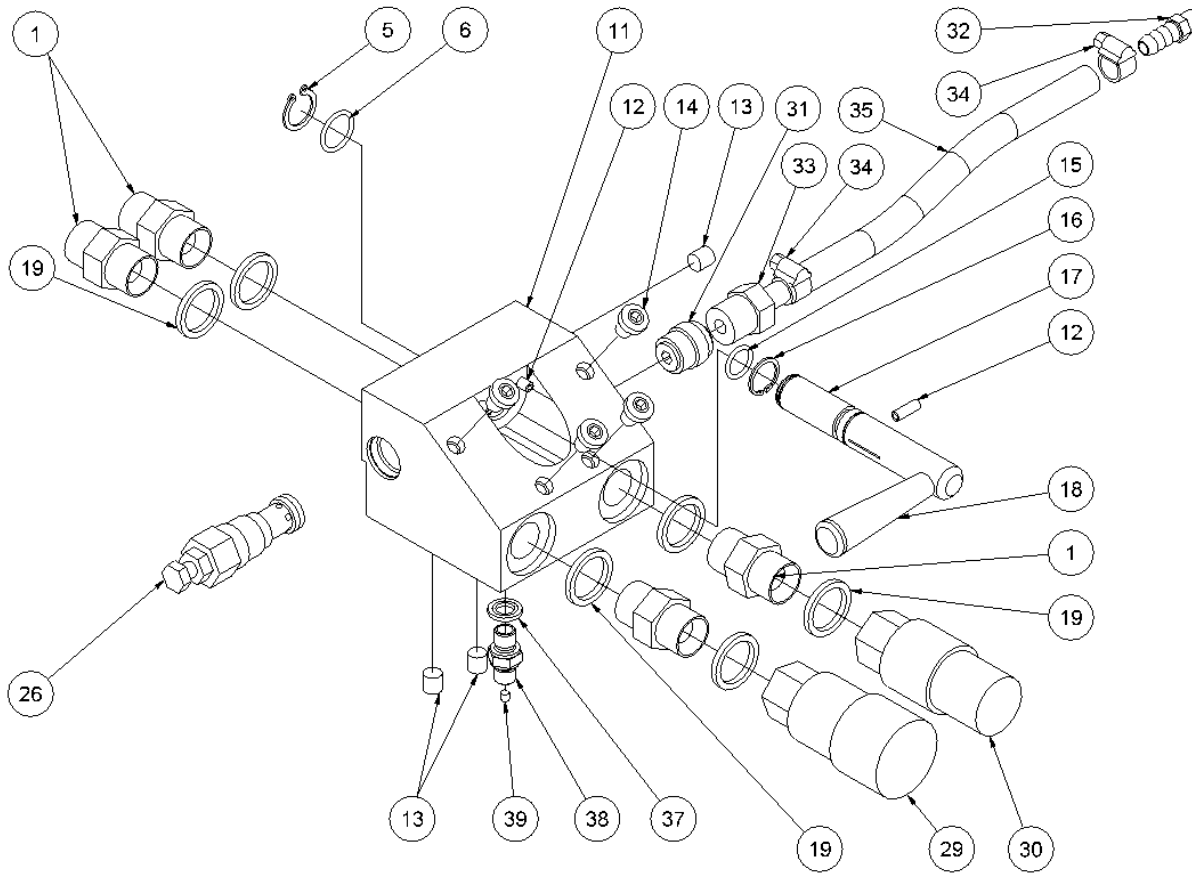


Pos.	Part No.	Description	Pcs.
1	7321144	Engine 13 HP Honda GX390	1
3	7621172	Washer M10	4
4	8722356	Rubber damper ø30x25	4
5	7621034	Washer M10	6
6	7621163	Screw M10x35	8
7	7621032	Set screw M6x8 <i>Loctite 243 - 5 Nm</i>	1
8	7421066	Coupling engine part	1
9	7421083	Rubber coupling	1
10	7421067	Coupling pump <i>20 Nm</i>	1
11	7421068	Coupling housing	1
12	7421080	Hose fitting 3/4"x1/2" <i>Loctite 542</i>	1
13	7521072	Seal ring 1/2"	2
14	7421060	Angle nipple 1/2" <i>Loctite 542</i>	1
15	7621173	Screw M10x40 <i>Loctite 243</i>	1
16	8221174	Supporting leg	1
17	8721166	Rubber damper M6x18 <i>Loctite 638</i>	1
18	7621171	Washer M8	8
19	7621043	Screw M8x110 <i>Loctite 243 - 15 Nm</i>	4
20	8321561	Fan ø280-6	1
21	7621117	Spring washer M14	2
22	7621111	Nut M14x1.5 <i>40 Nm</i>	1
23	7621038	Screw 5/16" UNFx25 <i>Loctite 243 - 20 Nm</i>	4
24	8721084	Feed line w/banjo	1
25	7421062	Banjo bolt 1/2" <i>80 Nm</i>	1
26	7421077	Pump 8.3 ccm	1
-	9021667	Seal kit for hydraulic pump	1
27	9922133	Centering washer	1
29	8621137	Tension spring 0.90x9.10x23 <i>Only included in HPP13 with POR</i>	1
-	2121103	Cooler complete <i>See fig. 7</i>	1

# HPP13/HPP13 FLEX spare parts list

## From serial No. 6109

Fig. 3a HPP13 with POR

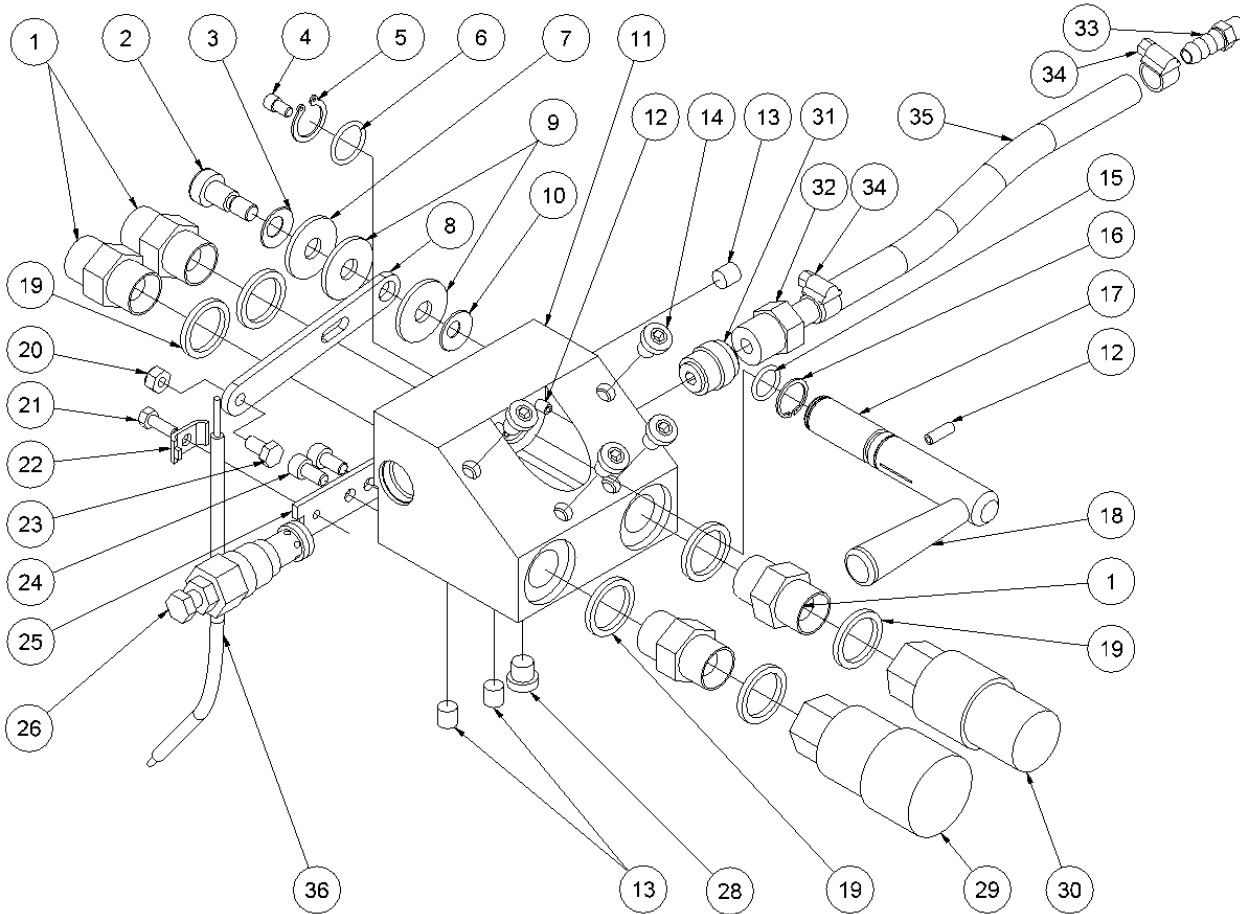


Pos.	Part No.	Description	Pcs.
1	7421063	Fitting 1/2"x1/2" BSP	4
5	7621606	Retaining ring A17	1
6	7521609	O-ring 17x2 mm	1
11	8221731	Valve block	1
12	7621050	Roll pin ø5x14	3
13	7621037	Pipe plug 1/8" <i>Loctite 542</i>	3
14	7621044	Screw M8x16	4
15	7521608	O-ring 13x2 mm	1
16	7621607	Retaining ring AV17	1
17	8221792	Spool	1
18	7721094	Lever ON/OFF <i>Loctite 243</i>	1
19	7521072	Seal ring 1/2"	6
26	7421587	Pressure relief valve <i>40 Nm</i>	1
29	7401142	Q.R. coupling 1/2" BSP female	1
30	7401141	Q.R. coupling 1/2" BSP male	1
31	7421733	Check valve	1
32	7421734	Hose fitting 3/8"x1/8" <i>Loctite 542</i>	1
33	7421735	Hose fitting 3/8"x1/2" <i>Loctite 542</i>	1
34	7421740	Hose clip 3/8"	2
35	9021738	Hose 3/8"	1
37	7521064	Seal ring 1/8"	1
38	8221024	Fitting 1/8"x1/8"	1
39	7421073	Fitting with reduction M4	1
-	2121741	Valve block complete HPP13	1

# HPP13/HPP13 FLEX spare parts list

## From serial No. 6109

Fig. 3b HPP13 FLEX

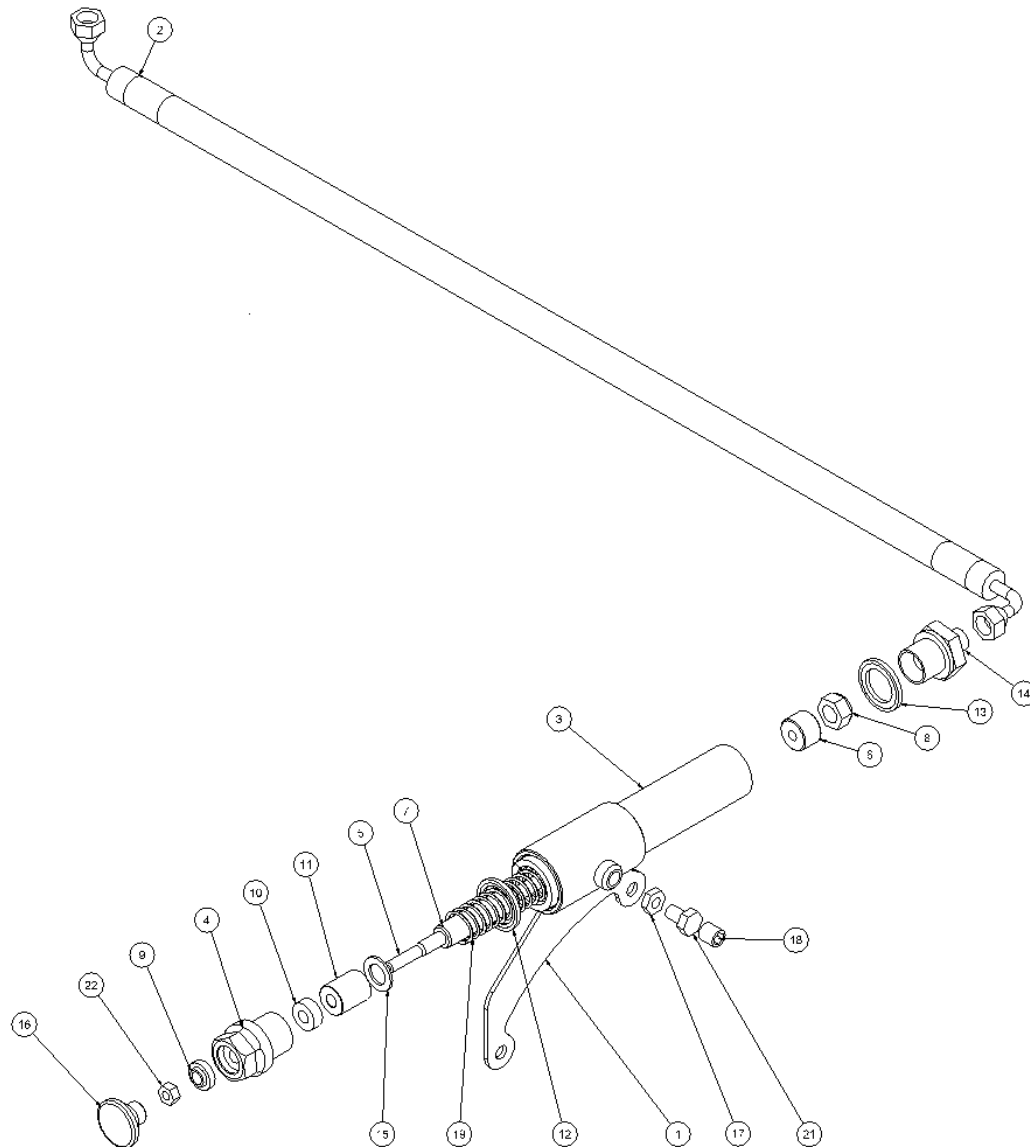


Pos.	Part No.	Description	Pcs.
1	7421063	Fitting 1/2"x1/2" BSP	4
2	7621647	Shoulder bolt $\varnothing 10/M8 \times 12$ <i>Loctite 638 - 20 Nm</i>	1
3	7621648	Disc spring $\varnothing 10.2/\varnothing 20 \times 0.8$	1
4	8621658	Screw M5x8 <i>Loctite 638</i>	1
5	7621606	Retaining ring A17	1
6	7521609	O-ring 17x2 mm	1
7	7621809	Washer 10x30x2	1
8	8221650	Eccentric plate <i>Grease with copper paste</i>	1
9	7621649	Nylon washer $\varnothing 10.5/30/2.5$	2
10	7621651	Disc spring $\varnothing 8.2/\varnothing 20 \times 1.0$	1
11	8221731	Valve block	1
12	7621050	Roll pin $\varnothing 5 \times 14$	3
13	7621037	Pipe plug 1/8" <i>Loctite 243</i>	3
14	7621044	Screw M8x16	4
15	7521608	O-ring 13x2 mm	1
16	7621607	Retaining ring AV17	1
17	8221792	Spool	1
18	7721094	Lever ON/OFF <i>Loctite 243</i>	1
19	7521072	Seal ring 1/2"	6
20	7621029	Nut M6	1
21	9921656	Screw M5	1
22	9921657	Cable clamp	1
23	8221652	Screw	1
24	7621653	Screw M6x12 <i>Loctite 243</i>	2
25	8221655	Cable plate	1
26	7421587	Pressure relief valve <i>40 Nm</i>	1
28	7621323	Threaded plug 1/8" w/seal	1
29	7401142	Q.R. coupling 1/2" BSP female	1
30	7401141	Q.R. coupling 1/2" BSP male	1
31	7421733	Check valve	1
32	7421735	Hose fitting 3/8"x1/2" <i>Loctite 542</i>	1
33	7421734	Hose fitting 3/8"x1/8"	1
34	7421740	Hose clip 3/8"	2
35	9021738	Hose 3/8"	1
36	9022064	Throttle cable complete	1
-	2121791	Valve block complete HPP13 FLEX	1

# HPP13/HPP13 FLEX spare parts list

## From serial No. 6109

Fig. 4 POR system

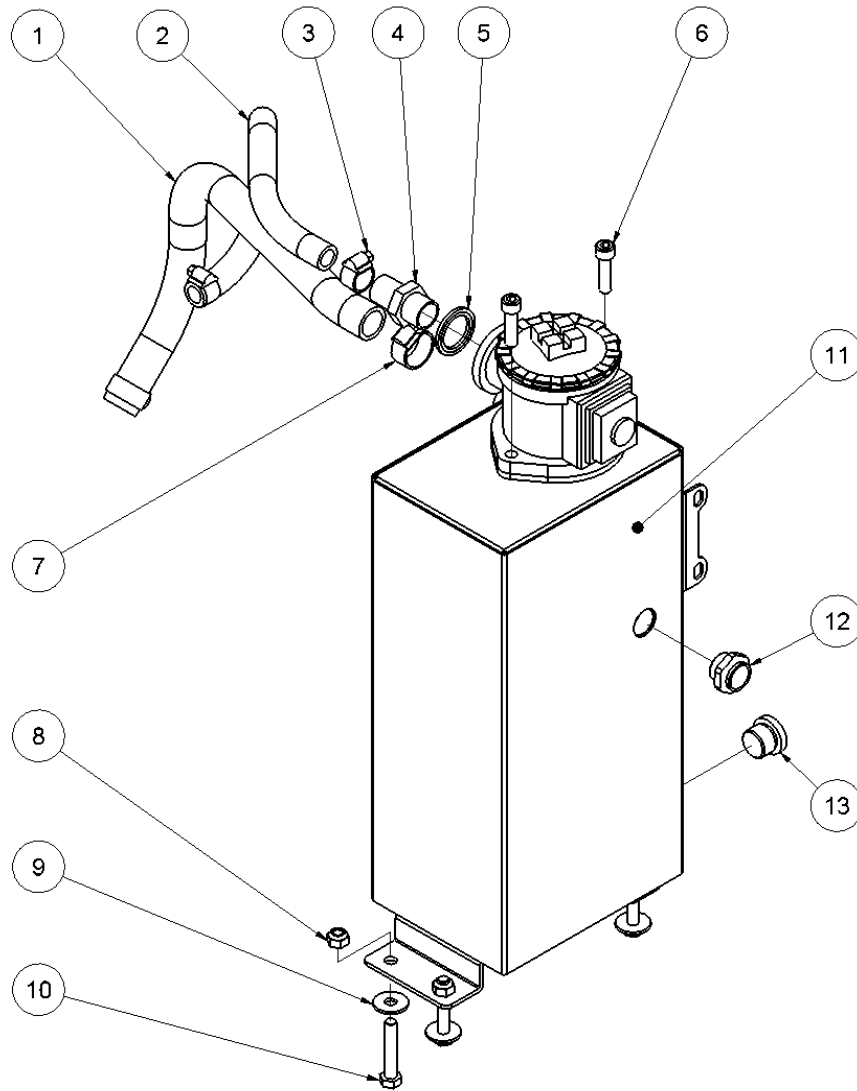


Pos.	Part No.	Description	Pcs.
1	8221023	POR bracket complete HPP13	1
2	8721110	POR hose HPP13	1
3	8221005	POR cylinder	1
4	8221006	Seal housing	1
5	8221007	Piston rod	1
6	8221008	Piston	1
7	8221009	Distance pipe	1
8	7621029	Nut M6	1
9	7521013	Seal	1
10	7521014	Seal	1
11	8221015	Guide element, bronze	1
12	7521018	Seal ring POR 18/24x2	1
13	7521017	Seal ring 3/8"	1
14	7421012	Fitting 3/8"x1/8"	1
15	7621021	Washer SS 10x16x1.2	1
16	8221131	POR head <i>Loctite 243</i>	1
17	7621028	Nut M6	1
18	7621031	Set screw M8x8	1
19	8621019	Compression spring	1
21	7621040	Screw M6x10	1
22	7621011	Nut M5	1
-	2121106	POR complete <i>Pos. 3-16, 19, 22</i>	1

# HPP13/HPP13 FLEX spare parts list

## From serial No. 6109

Fig. 5

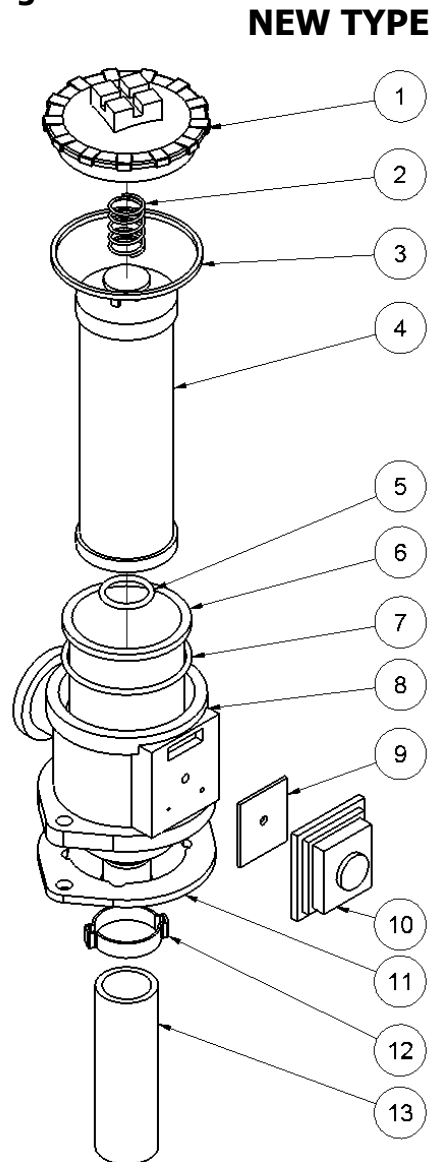


Pos.	Part No.	Description	Pcs.
1	8721071	3/4" hose	1
2	8721070	1/2" hose	1
3	7421081	Hose clip 1/2"	2
4	7421079	Hose fitting 1/2"x3/4"	1
5	7521118	Seal ring 3/4"	1
6	7621045	Screw M8x30 <i>Loctite 243</i>	2
7	7421082	Hose clip 3/4"	2
8	7621010	Lock nut M8	4
9	7621035	Washer M8	4
10	7621049	Screw M8x45	4
11	8222359	Hydraulic tank	1
12	7721099	Sight glass 1/2" w/seal	1
13	7621075	Threaded plug 1/2" w/seal	1

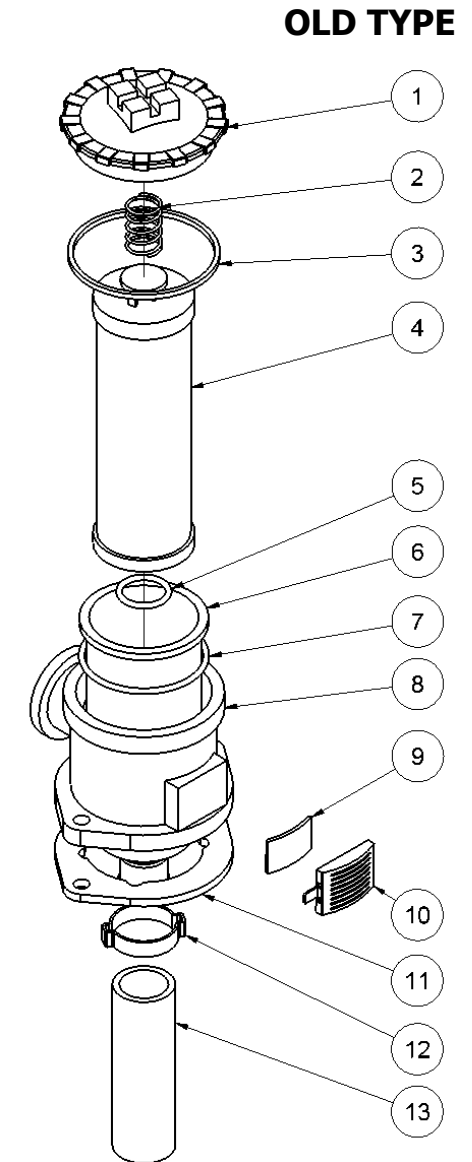
# HPP13/HPP13 FLEX spare parts list

## From serial No. 6109

Fig. 6



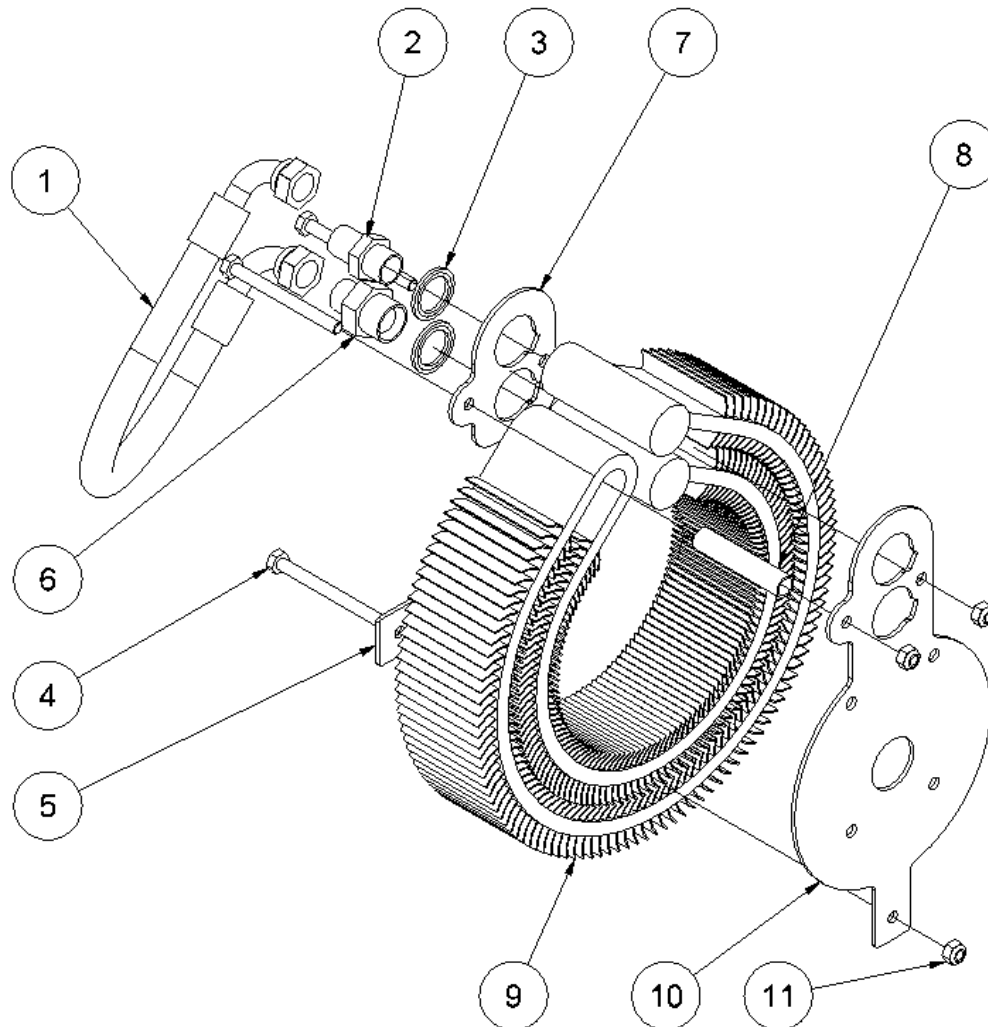
Pos.	Part No.	Description	Pcs.
1	9421189	Filter cover	1
2	9421193	Filter spring	1
3	9421502	Seal f/filter cover <i>Also included in 9421188</i>	1
4	9421190	Filter element	1
5	-	O-ring $\varnothing 3 \times 22$ <i>Included in 9421188</i>	1
6	-	Filter cup	1
7	-	O-ring $\varnothing 3 \times 60$ <i>Included in 9421188</i>	1
8	-	Filter housing	1
9	9421191	Ventilation filter <i>Old type</i>	1
9	9422041	Ventilation filter <i>New type</i>	1
10	9421192	Cover f/ventilation filter <i>Old type</i>	1
10	9422042	Cover f/ventilation filter <i>New type</i>	1
11	-	Seal <i>Included in 9421188</i>	1
12	7621789	Hose clamp	1
13	9022043	Filter hose	1
-	9421188	Seal kit filter <i>Pos. 3, 5, 7 and 11</i>	1
-	8421092	Filter complete <i>Pos. 1-13</i>	1



# HPP13/HPP13 FLEX spare parts list

## From serial No. 6109

Fig. 7



Pos.	Part No.	Description	Pcs.
1	8721630	Cooler pressure hose	1
2	7421079	Hose fitting 1/2"x3/4"	1
3	7521118	Seal ring 3/4"	2
4	7621047	Screw M8x90	3
5	8221121	Plate	1
6	7421582	Fitting 1/2"x3/4"	1
7	8221116	Plate	1
8	8221086	Distance pipe ø12x1.5	1
9	8321093	Cooler ø280-12	1
10	8221112	Bracket for cooler	1
11	7621010	Lock nut M8	3
-	2121103	Cooler complete <i>Pos. 4-5, 7-11</i>	1