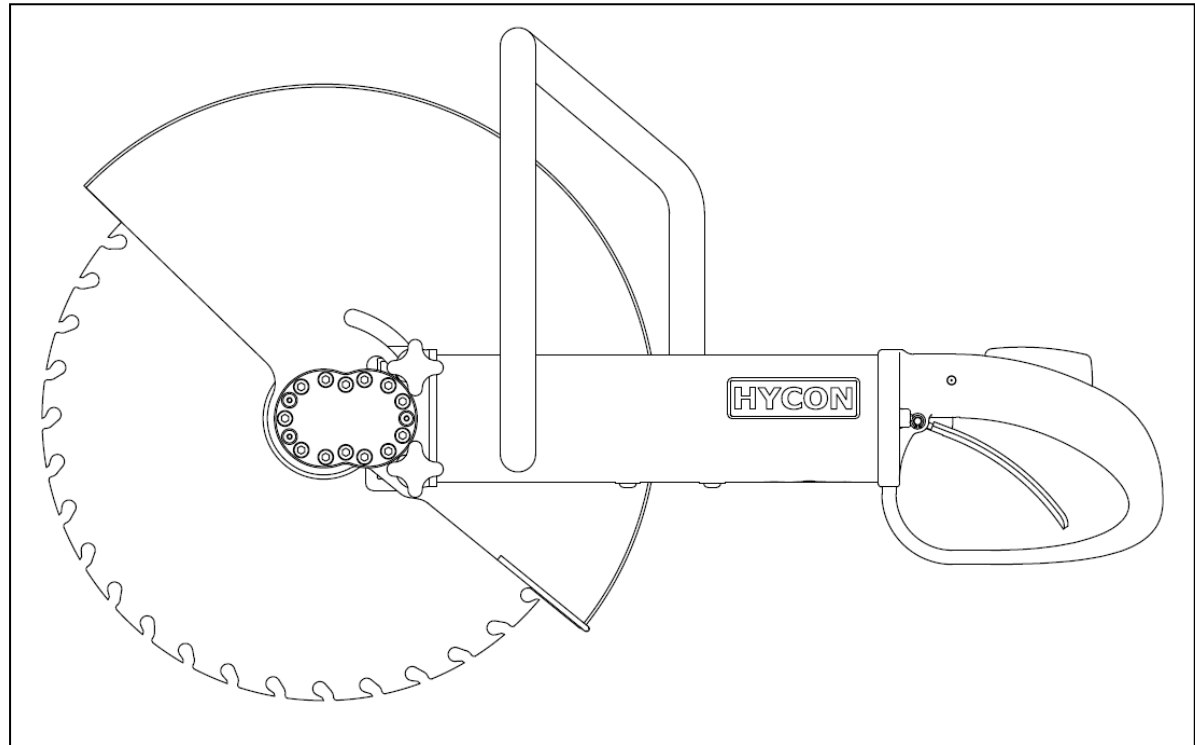


Spare parts list

Hycon Premium Saws

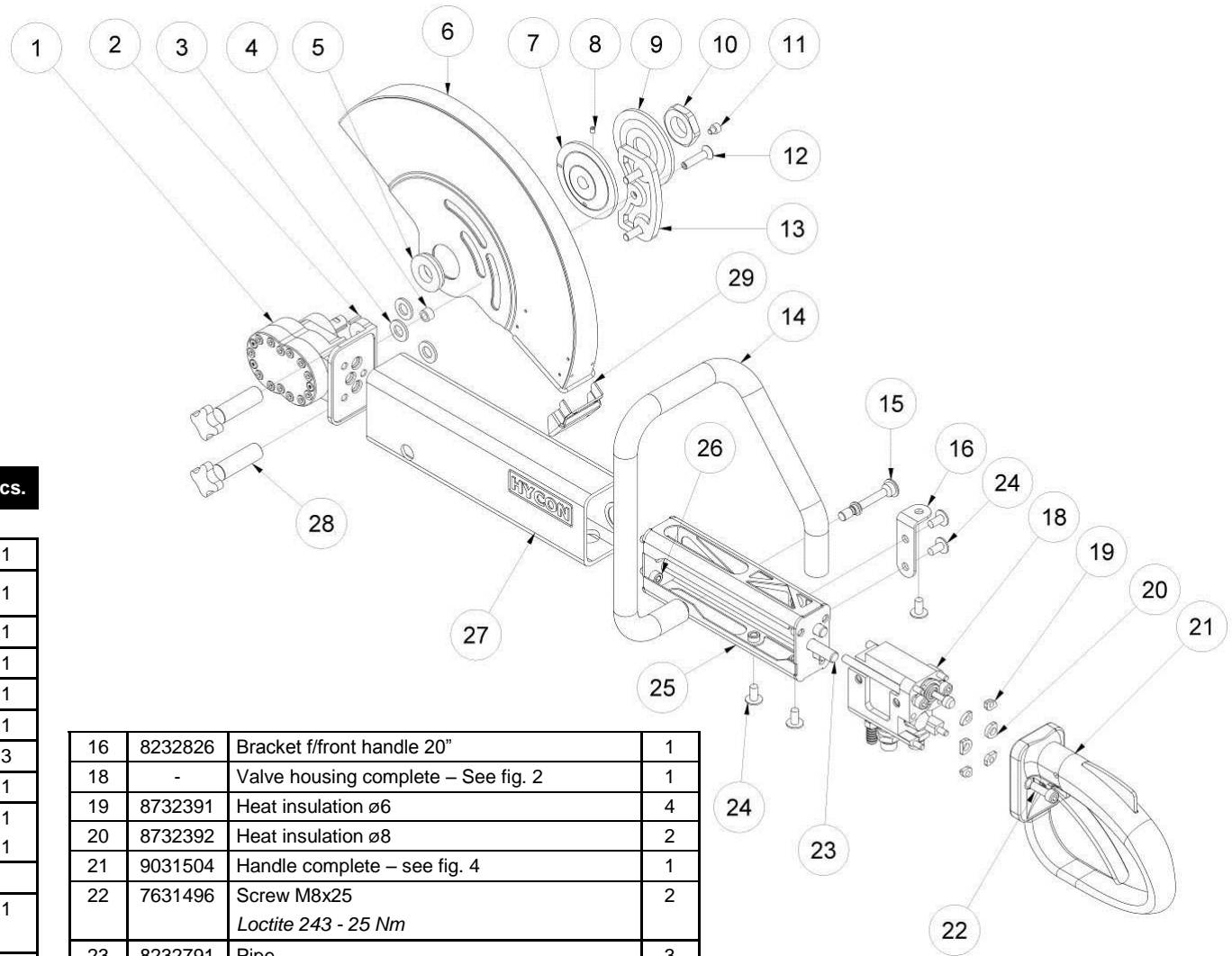
From serial No.
HCS 20" 8942 - 11542



Revised 01-08-2017

HCS20 Premium part list

Fig. 1



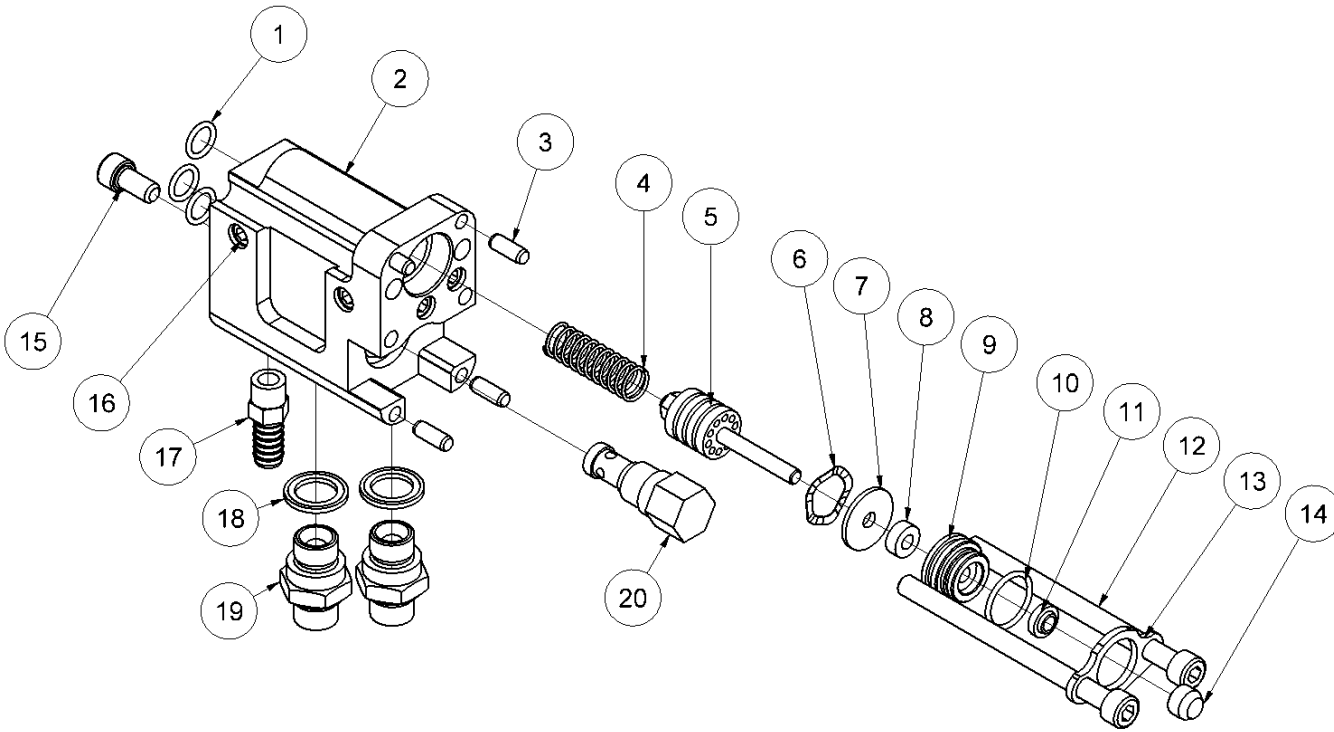
Pos.	Part No.	Description	Pcs.
------	----------	-------------	------

-	4341470	3/8" waterhose-set compl. w/ball valve	1
-	4341408	3/8" tailhose-set 2 m <i>Incl. quick-release couplings</i>	1
-	7401141	Q.R. coupling 1/2" BSP male	1
-	7401142	Q.R. coupling 1/2" BSP female	1
1	9033148	Motor 20"	1
2	7632988	Key 20"	1
3	7631457	Washer $\varnothing 13/\varnothing 24 \times 2.5$	3
4	8231426	Distance pipe	1
5	8733102	Nylon washer 20"	1
6	8232823	Guard 20"	1
7	8233100	Adaptor f/disc 20"	
8	7631629	Set screw M5x5 <i>Loctite 243 - 3 Nm</i>	1
8	7633098	Set screw M5x6 <i>Loctite 243 - 3 Nm</i>	1
9	8231423	Washer f/disc	1
10	8231424	Nut f/adaptor	1
11	7631499	Screw M6x6 <i>Loctite 243 - 7.5 Nm</i>	1
12	8231428	Screw M8 w/hole <i>Loctite 243 - 8 Nm</i>	1
13	9031490	Retainer plate f/guard	1
14	9032825	Front handle complete 20"	1
15	8232749	Screw f/front handle <i>Loctite 243 - 25 Nm</i>	1

16	8232826	Bracket f/front handle 20"	1
18	-	Valve housing complete – See fig. 2	1
19	8732391	Heat insulation $\varnothing 6$	4
20	8732392	Heat insulation $\varnothing 8$	2
21	9031504	Handle complete – see fig. 4	1
22	7631496	Screw M8x25 <i>Loctite 243 - 25 Nm</i>	2
23	8232791	Pipe	3
24	7611282	Screw M8x16 <i>15 Nm</i>	5
25	8232747	Frame	1
26	7632621	Screw M8x16 <i>Loctite 243</i>	3
27	8732748	Plastic cover	1
28	9033092	Lobe knob complete 20" <i>Grease with aluminium paste</i>	2
29	4032273	Splash Guard Kit	1
-	9032834	Seal Kit f/ Cut saw	1
-	8231505	Spanner f/cut-off saw	1

HCS20 Premium part list

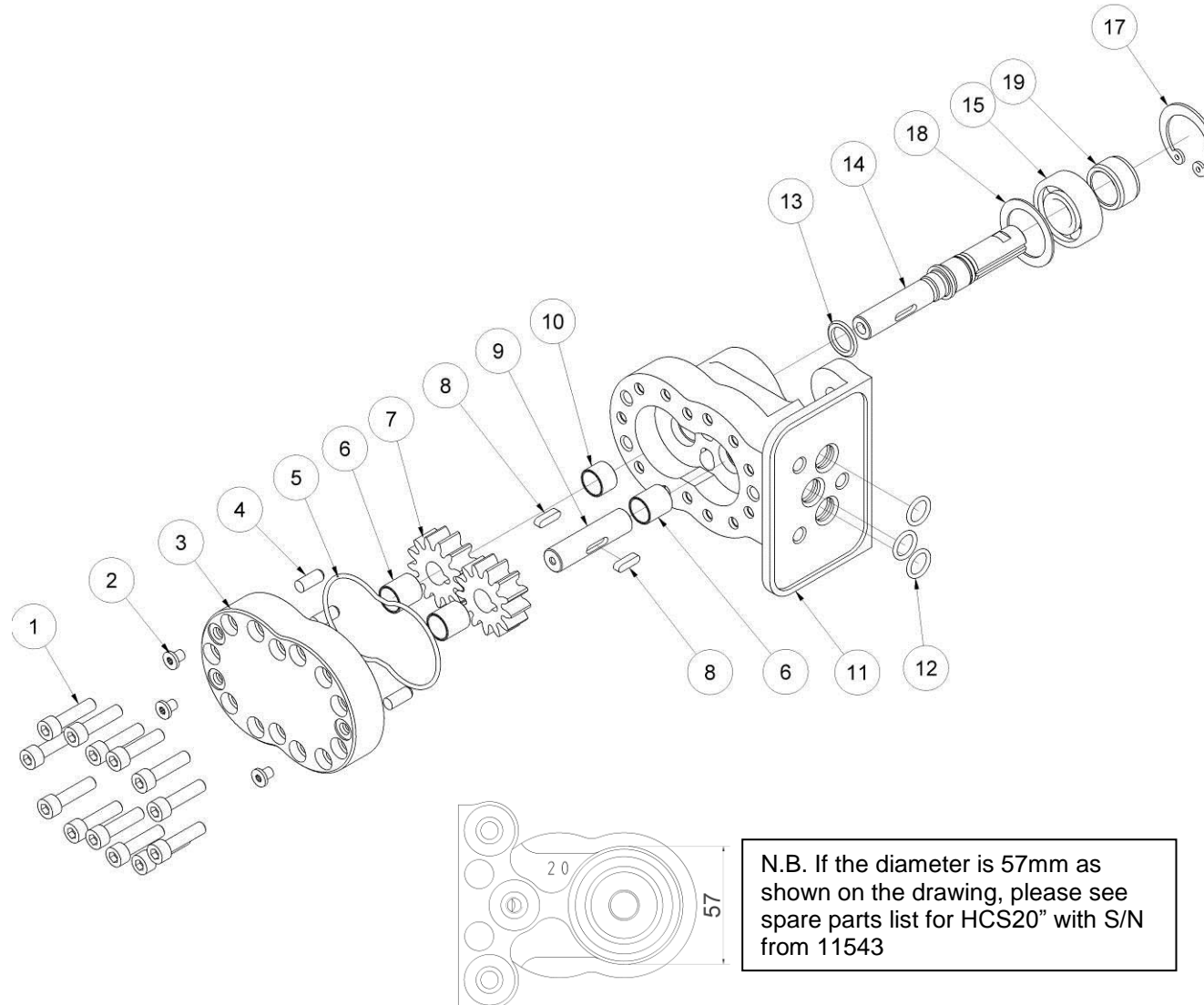
Fig. 2



Pos.	Part No.	Description	Pcs.
1	7531493	O-ring 12x2 <i>Incl. In 9032834</i>	3
2	8232788	Valve block	1
3	7632395	Cylinder pin ø6x16	4
4	8611249	Compression spring 1.25x12.5x62.5	1
5	9032413	Trigger piston complete	1
6	7611252	Crinkled spring washer 23.8x17.3x0.3	1
7	8211251	Washer	1
8	7521014	Seal <i>Incl. In 9032834</i>	1
9	8211226	Seal housing	1
10	7511248	O-ring 20x2 <i>Incl. In 9032834</i>	1
11	7521013	Seal <i>Incl. In 9032834</i>	1
12	7621043	Screw M8x110 <i>Loctite 243 - 20 Nm</i>	2
13	8231451	Bracket f/trigger piston	1
14	8211227	Distance piece	1
15	7632621	Screw M8x16 <i>Loctite 243</i>	1
16	7621037	Pipe plug 1/8" <i>Loctite 542</i>	5
17	7431417	Fitting <i>Loctite 542</i>	1
18	7521017	Seal ring 3/8" <i>Incl. In 9032834</i>	2
19	8231394	Fitting 3/8"x3/8" BSP <i>50 Nm</i>	2
19	8232832	Fitting 3/8"x3/8" JIC <i>50 Nm</i>	2
20	7432756	Check valve <i>40 Nm</i>	1

HCS20 Premium part list
Fig. 3

Motor 20"

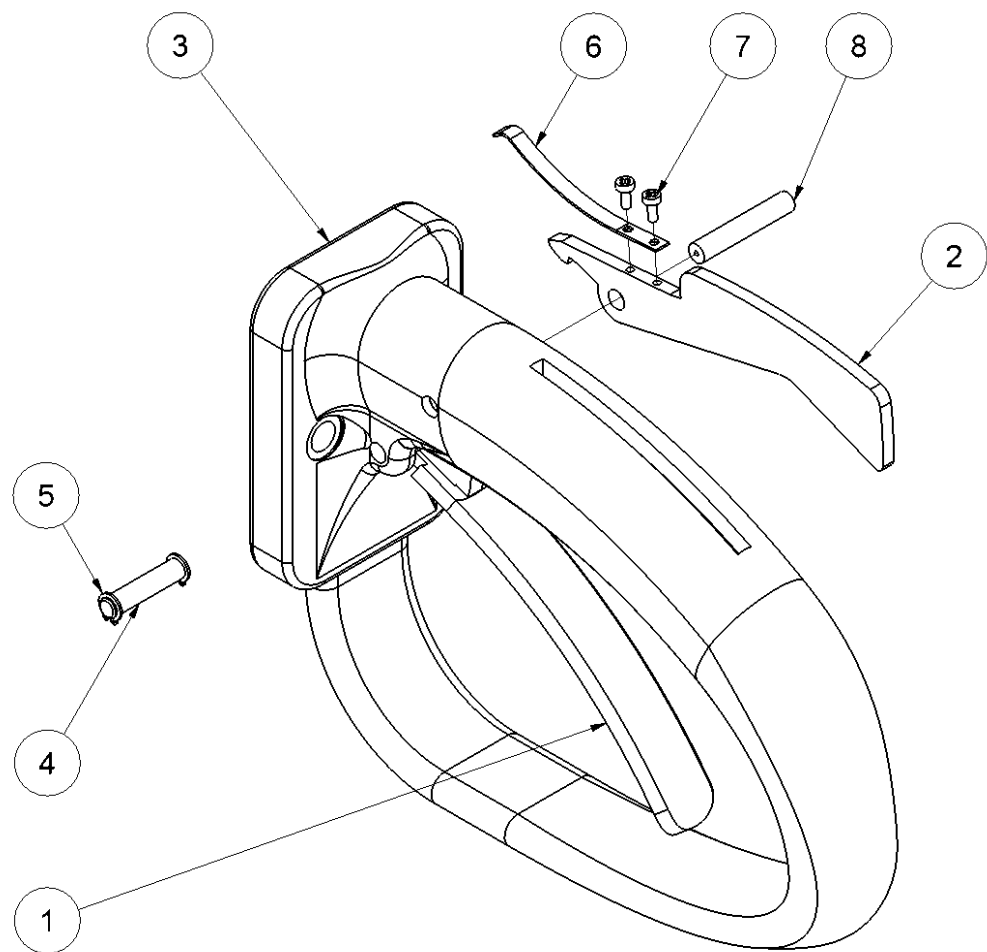


N.B. If the diameter is 57mm as shown on the drawing, please see spare parts list for HCS20" with S/N from 11543

Pos.	Part No.	Description	Pcs.
1	7611243	Screw M6x25 <i>Loctite 243 - 7.5 Nm</i>	13
2	7632773	Screw M5x6 <i>2 Nm</i>	3
3	9033111	Cover for motor w/bearings <i>Pos. 3, 6</i>	1
4	7632775	Pin	3
5	7532776	O-ring $\varnothing 62 \times 2$ <i>Incl. In 9032834</i>	1
6	-	Bearing. Not sold separately. <i>Incl. in 9033148/ 9033111</i>	3
7	-	Gear 20" Not sold separately. <i>Incl. in 9033148</i>	2
8	7632954	Key 20"	2
9	8232952	Secondary Shaft 20"	1
10	-	Bearing. Not sold separately. <i>Incl. in 9033148</i>	1
11	-	Motor housing 20" Not sold separately. <i>Incl. in 9033148</i>	1
12	7531493	O-ring 12x2 <i>Incl. In 9032834</i>	3
13	7532774	Seal <i>Incl. In 9032834</i>	1
14	-	Primary Shaft 20" Not sold separately. <i>Incl. in 9033148</i>	1
15	-	Bearing 20" Not sold separately. <i>Incl. in 9033148</i>	1
17	7632534	Retaining ring J35	1
18	8233097	Washer	1
19	-	Bushing Not sold separately. <i>Incl. in 3132953</i>	1
-	9033148	Motor Complete 20"	1

HCS20 Premium part list

Fig. 4



Pos.	Part No.	Description	Pcs.
1	8231471	Trigger lever	1
2	8231472	Safety trigger	1
3	8231485	Handle	1
4	8231396	Pin ø6	1
5	7611306	Retaining ring A6	2
6	8631506	Leaf spring f/safety trigger	1
7	7631589	Screw M2.5x6	2
8	8231507	Pin f/safety trigger	1
-	9031504	Handle complete <i>Pos. 1-8</i>	1