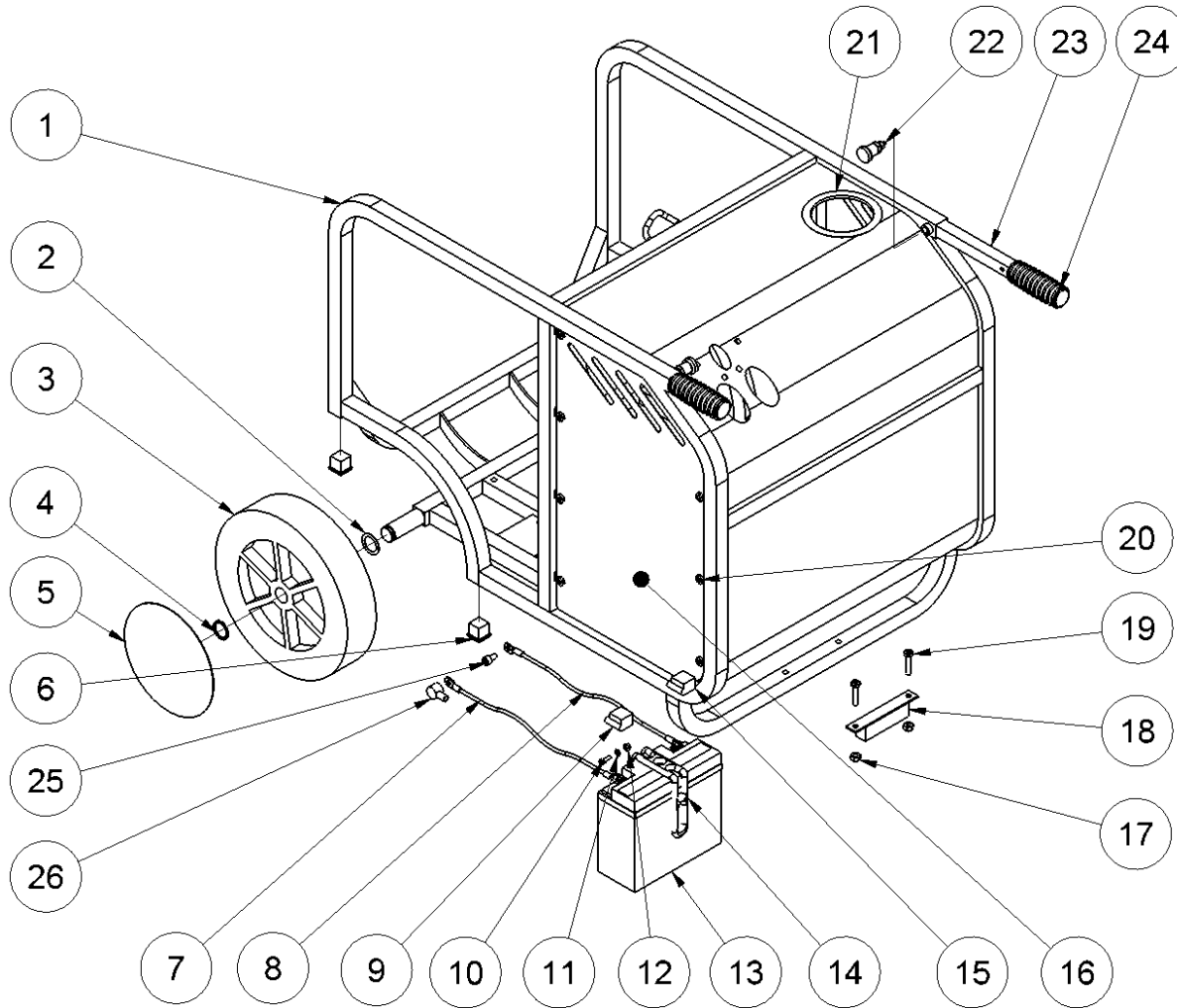


HPP13D spare parts list

From Serial No. 8264-14391

Fig. 1

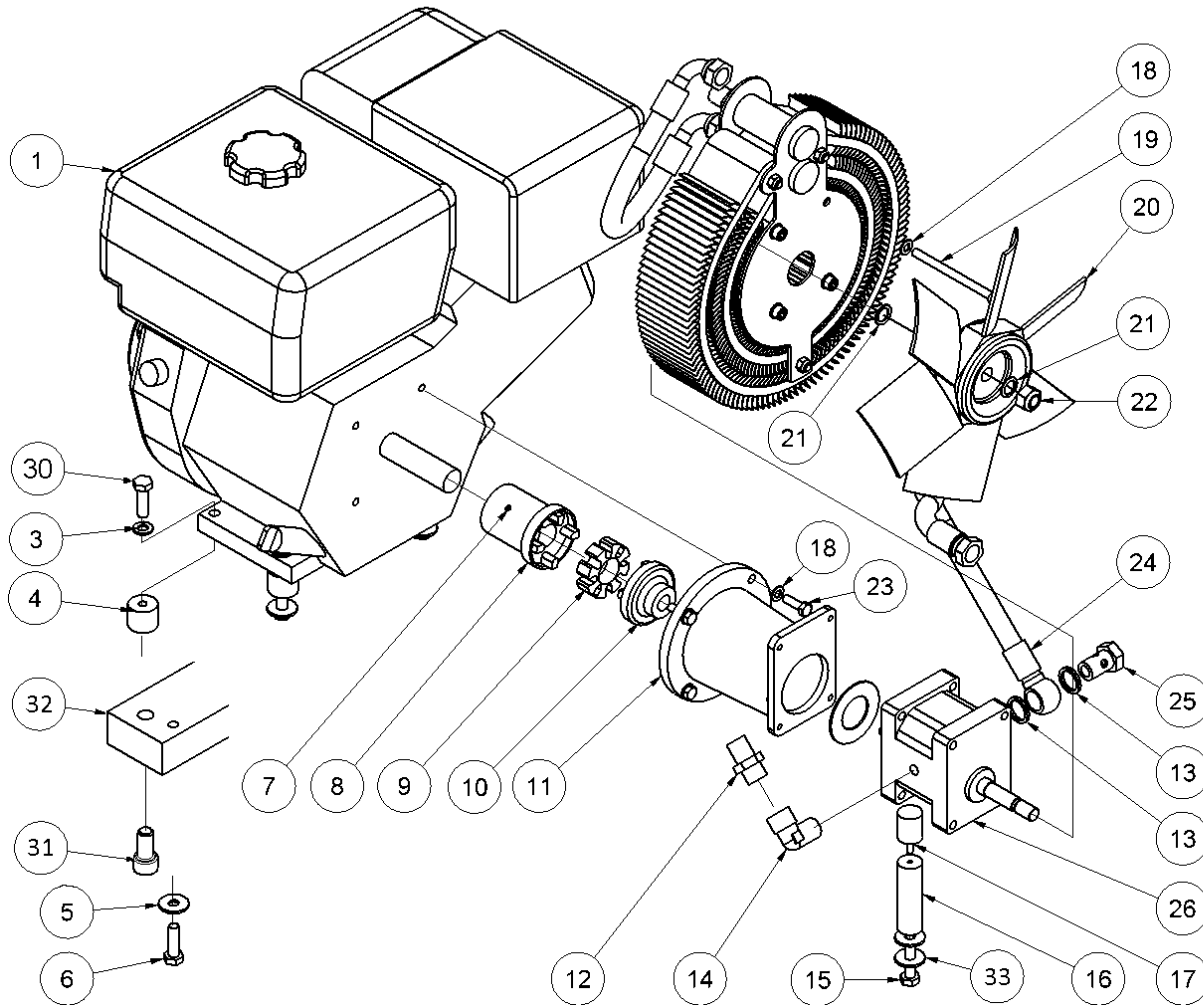


| Pos. | Part No. | Description | Pcs. |
|------|----------|--|------|
| 1 | 8221186 | Chassis complete HPP18 | 1 |
| 2 | 7621100 | Shim ring 25/35/1 mm | 2 |
| 3 | 7721139 | Wheel HPP13/18 | 2 |
| 4 | 7621098 | Retaining ring 25x2 | 2 |
| 5 | 7721140 | Wheel cover | 2 |
| 6 | 7721125 | Tube plug 25x25 | 4 |
| 7 | 9021564 | Cable red w/cable terminal | 1 |
| 8 | 9022681 | Cable black w/cable terminal | 1 |
| 9 | 7721196 | Cover (battery) <i>Incl. in 9021564</i> | 1 |
| 10 | - | Screw (incl. in 7321194) | 2 |
| 11 | - | Washer (incl. in 7321194) | 2 |
| 12 | - | Nut (incl. in 7321194) | 2 |
| 13 | 7321194 | Battery 12V/17Amp | 1 |
| 14 | 7721198 | Rubber strap | 1 |
| 15 | 7721195 | Cover (battery) <i>Incl. in 9022681</i> | 1 |
| 16 | 8221187 | Side cover set HPP18 | 1 |
| 17 | 7621010 | Lock nut M8 | 2 |
| 18 | 8721095 | Rubber foot | 1 |
| 19 | 7621046 | Screw M8x35 | 2 |
| 20 | 7621042 | Screw M8x10 | 14 |
| 21 | 9021563 | Rubber band | 1 |
| 22 | 7721197 | Bolt <i>Loctite 243</i> | 2 |
| 23 | 9022430 | Pull-out handle w/rubber grip | 2 |
| 24 | - | Rubber grip (incl. In 9022430) | - |
| 25 | 7631395 | Screw M8x14 | 1 |
| 26 | 7721950 | Cover (battery) | 1 |

HPP13D spare parts list

From Serial No. 8264-14391

Fig. 2

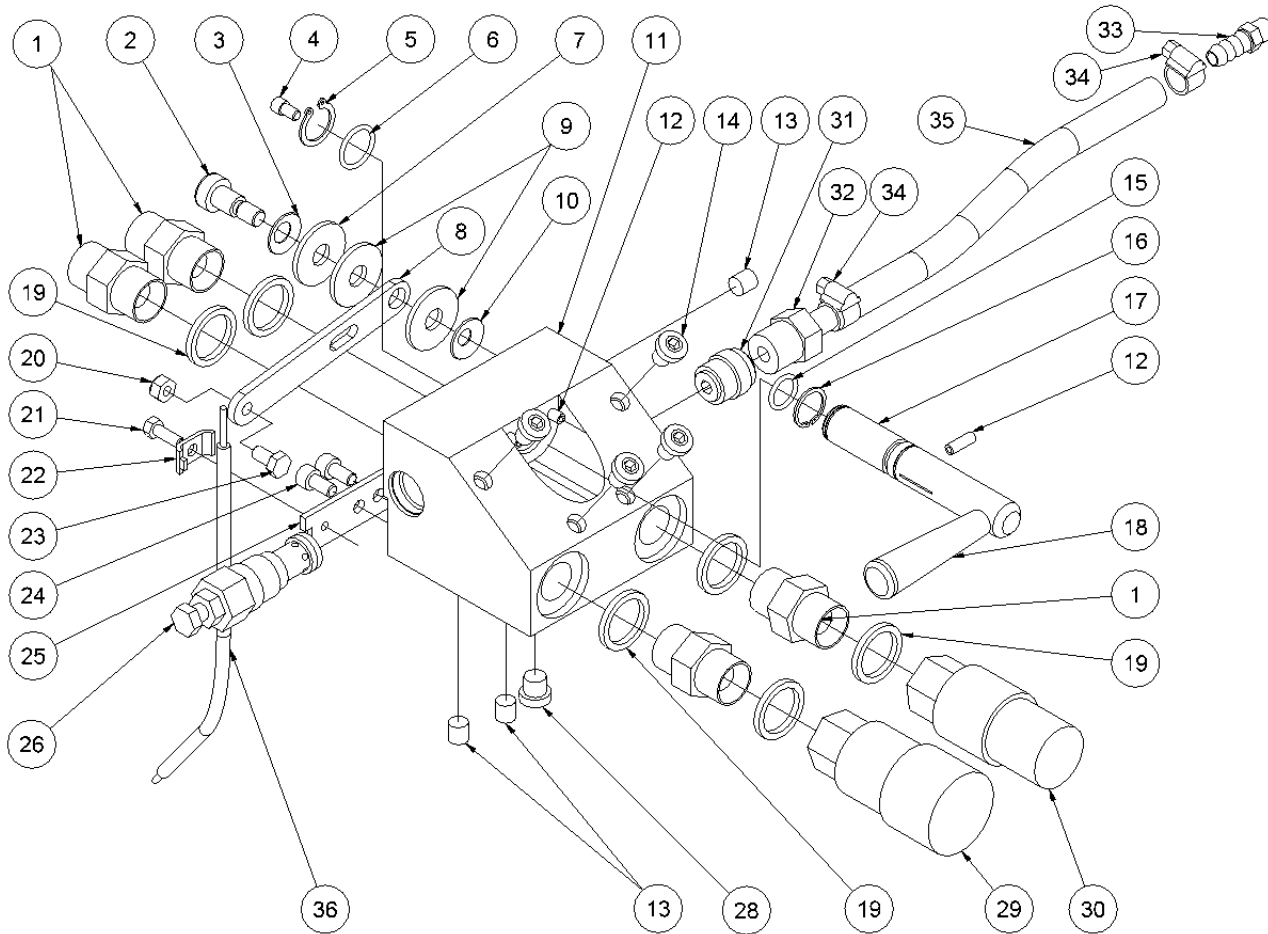


| Pos. | Part No. | Description | Pcs. |
|------|----------|--|------|
| 1 | 7322648 | Lombardini diesel engine | 1 |
| 3 | 7621172 | Washer M10 | 4 |
| 4 | 8722356 | Rubber damper ø30x25 | 4 |
| 5 | 7621035 | Washer M8 | 4 |
| 6 | 7621049 | Screw M8x45 | 4 |
| 7 | 7621032 | Set screw M6x8 <i>Loctite 243 - 5 Nm</i> | 1 |
| 8 | 7421066 | Coupling engine part | 1 |
| 9 | 7421083 | Rubber coupling | 1 |
| 10 | 7421067 | Coupling pump <i>20 Nm</i> | 1 |
| 11 | 8222677 | Coupling housing | 1 |
| 12 | 7421080 | Hose fitting 3/4"x1/2" <i>Loctite 542</i> | 1 |
| 13 | 7521072 | Seal ring 1/2" | 2 |
| 14 | 7421060 | Angle nipple 1/2" <i>Loctite 542</i> | 1 |
| 15 | 7621173 | Screw M10x40 <i>Loctite 243</i> | 1 |
| 16 | 8222665 | Supporting leg | 1 |
| 17 | 8721166 | Rubber damper M6x18 <i>Loctite 638</i> | 1 |
| 18 | 7621171 | Washer M8 | 8 |
| 19 | 7621043 | Screw M8x110 <i>Loctite 243 - 15 Nm</i> | 4 |
| 20 | 8321561 | Fan ø280-6 | 1 |
| 21 | 7621117 | Spring washer M14 | 2 |
| 22 | 7621111 | Nut M14x1.5 <i>40 Nm</i> | 1 |
| 23 | 7631496 | Screw M8x25 <i>Loctite 243 - 20 Nm</i> | 4 |
| 24 | 8722674 | Feed line w/banjo | 1 |
| 25 | 7421062 | Banjo bolt 1/2" <i>80 Nm</i> | 1 |
| 26 | 7421077 | Pump 8.3 ccm | 1 |
| - | 9021667 | Seal kit for hydraulic pump | 1 |
| 27 | 9922133 | Centering washer | 1 |
| 30 | 7632629 | Screw M10x30 | 4 |
| 31 | 7632631 | Screw M10x20 | 4 |
| 32 | 8222664 | Aluminium supporting leg | 2 |
| 33 | 7621034 | Washer M10 | 1 |
| - | 2121103 | Cooler complete <i>See fig. 7</i> | 1 |

HPP13D spare parts list

From Serial No. 8264-14391

Fig. 3

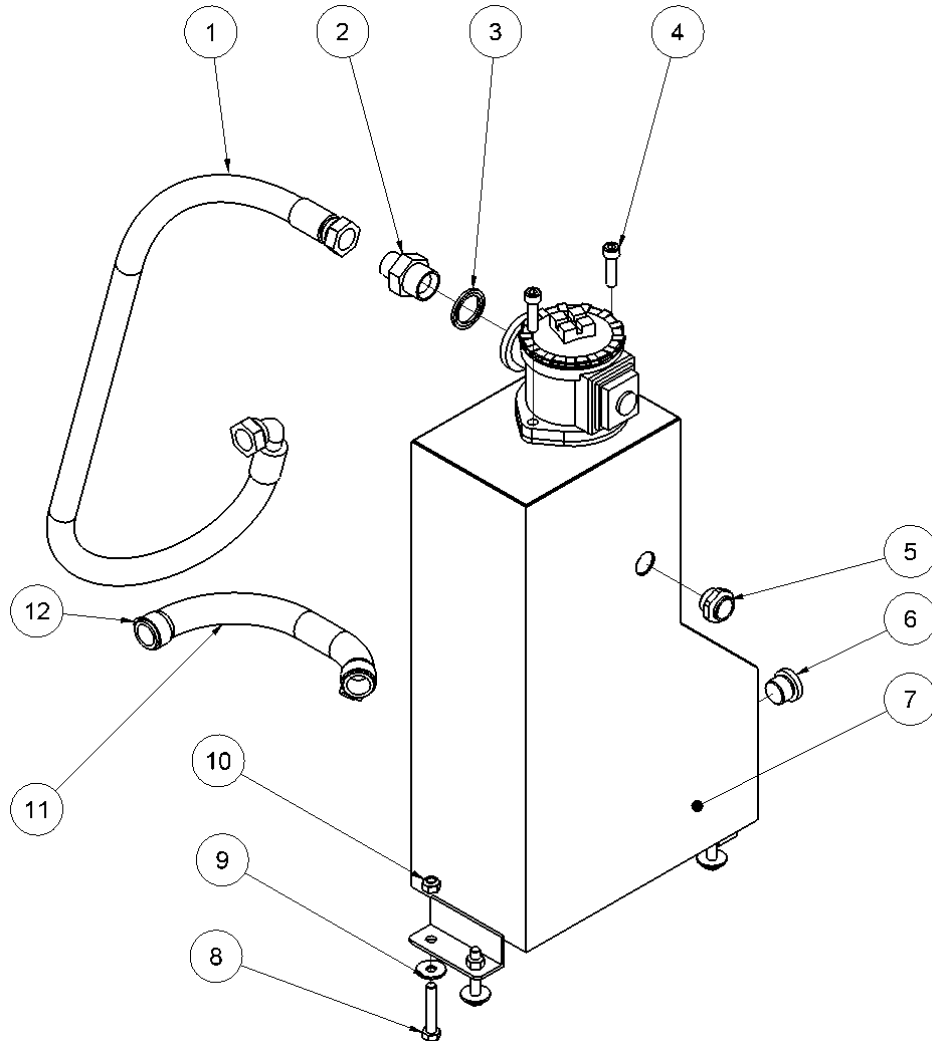


| Pos. | Part No. | Description | Pcs. |
|------|----------|---|------|
| 1 | 7421063 | Fitting 1/2"x1/2" BSP | 4 |
| 2 | 7621647 | Shoulder bolt $\varnothing 10/M8 \times 12$ <i>Loctite 638 - 20 Nm</i> | 1 |
| 3 | 7621648 | Disc spring $\varnothing 10.2/\varnothing 20 \times 0.8$ | 1 |
| 4 | 8621658 | Screw M5x8 <i>Loctite 638</i> | 1 |
| 5 | 7621606 | Retaining ring A17 | 1 |
| 6 | 7521609 | O-ring 17x2 mm | 1 |
| 7 | 7621809 | Washer 10x30x2 | 1 |
| 8 | 8221650 | Eccentric plate <i>Grease with copper paste</i> | 1 |
| 9 | 7621649 | Nylon washer $\varnothing 10.5/30/2.5$ | 2 |
| 10 | 7621651 | Disc spring $\varnothing 8.2/\varnothing 20 \times 1.0$ | 1 |
| 11 | 8221731 | Valve block | 1 |
| 12 | 7621050 | Roll pin $\varnothing 5 \times 14$ | 3 |
| 13 | 7621037 | Pipe plug 1/8" <i>Loctite 243</i> | 3 |
| 14 | 7621044 | Screw M8x16 | 4 |
| 15 | 7521608 | O-ring 13x2 mm | 1 |
| 16 | 7621607 | Retaining ring AV17 | 1 |
| 17 | 8221792 | Spool | 1 |
| 18 | 7721094 | Lever ON/OFF <i>Loctite 243</i> | 1 |
| 19 | 7521072 | Seal ring 1/2" | 6 |
| 20 | 7621029 | Lock nut M6 | 1 |
| 21 | 9921656 | Screw M5 | 1 |
| 22 | 9921657 | Cable clamp | 1 |
| 23 | 8221652 | Screw | 1 |
| 24 | 7621653 | Screw M6x12 <i>Loctite 243</i> | 2 |
| 25 | 8221655 | Cable plate | 1 |
| 26 | 7421587 | Pressure relief valve <i>40 Nm</i> | 1 |
| 28 | 7621323 | Threaded plug 1/8" w/seal | 1 |
| 29 | 7401142 | Q.R. coupling 1/2" BSP female | 1 |
| 30 | 7401141 | Q.R. coupling 1/2" BSP male | 1 |
| 31 | 7421733 | Check valve | 1 |
| 32 | 7421735 | Hose fitting 3/8"x1/2" <i>Loctite 542</i> | 1 |
| 33 | 7421734 | Hose fitting 3/8"x1/8" | 1 |
| 34 | 7421740 | Hose clip 3/8" | 2 |
| 35 | 9021738 | Hose 3/8" | 1 |
| 36 | 9022064 | Throttle cable complete | 1 |
| - | 2121791 | Valve block complete HPP13F/13D | 1 |

HPP13D spare parts list

From Serial No. 8264-14391

Fig. 4

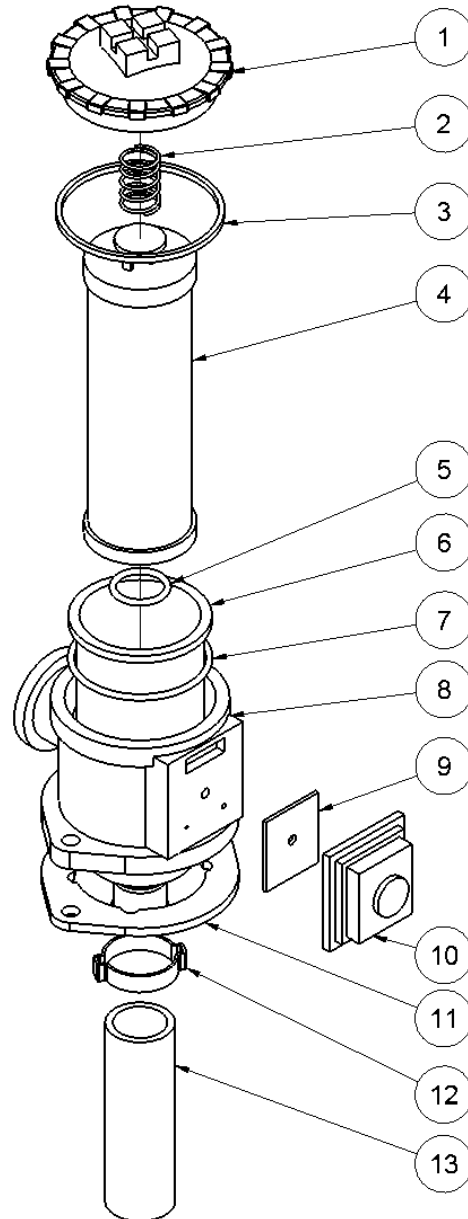


| Pos. | Part No. | Description | Pcs. |
|------|----------|-----------------------------------|------|
| 1 | 8721583 | Cooler pressure hose | 1 |
| 2 | 7421582 | Fitting 1/2"x3/4" | 1 |
| 3 | 7521118 | Seal ring 3/4" | 1 |
| 4 | 7621045 | Screw M8x30 <i>Loctite 243</i> | 2 |
| 5 | 7721099 | Sight glass 1/2" w/seal | 1 |
| 6 | 7621075 | Threaded plug 1/2" w/seal | 1 |
| 7 | 8221325 | Hydraulic tank HPP18 | 1 |
| 8 | 7621049 | Screw M8x45 | 4 |
| 9 | 7621035 | Washer M8 | 4 |
| 10 | 7621010 | Lock nut M8 | 4 |
| 11 | 9021479 | Suction hose | 1 |
| 12 | 7421082 | Hose clip 3/4" | 2 |

HPP13D spare parts list

From Serial No. 8264-14391

Fig. 5

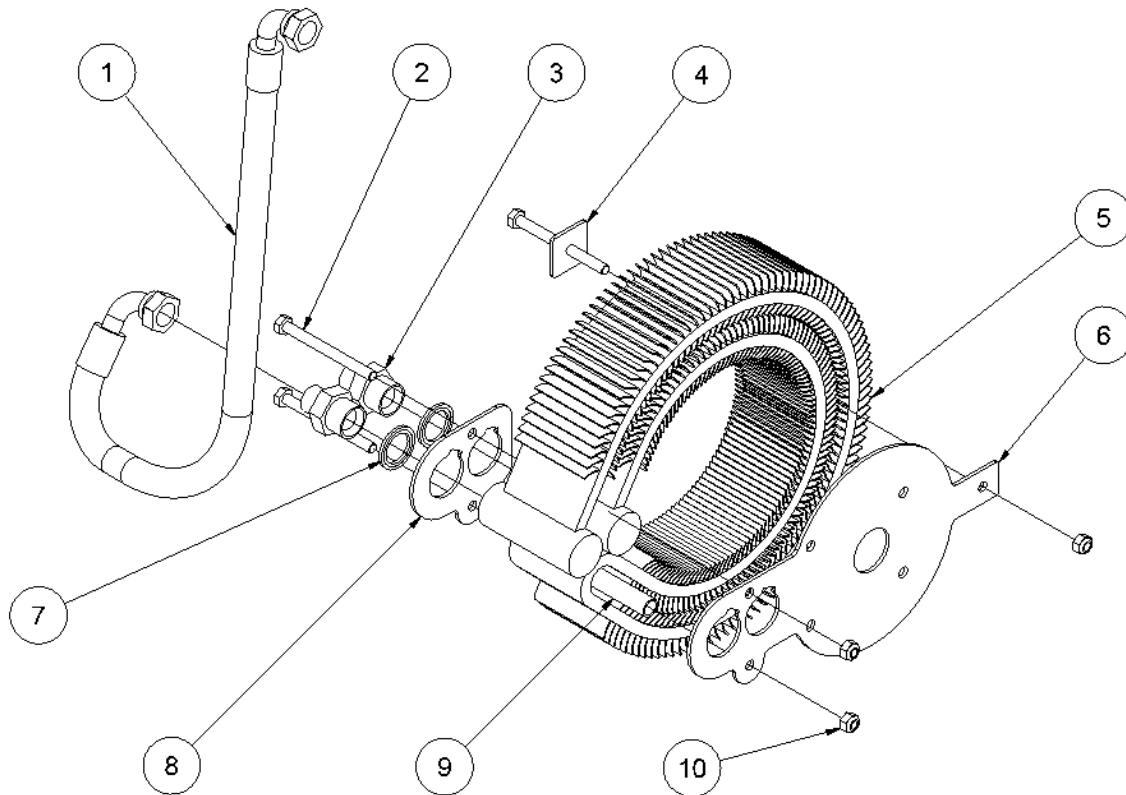


| Pos. | Part No. | Description | Pcs. |
|------|----------|--|------|
| 1 | 9421189 | Filter cover | 1 |
| 2 | 9421193 | Filter spring | 1 |
| 3 | 9421502 | Seal f/filter cover <i>Also included in 9421188</i> | 1 |
| 4 | 9421190 | Filter element | 1 |
| 5 | - | O-ring $\varnothing 3 \times 22$ <i>Included in 9421188</i> | 1 |
| 6 | - | Filter cup | 1 |
| 7 | - | O-ring $\varnothing 3 \times 60$ <i>Included in 9421188</i> | 1 |
| 8 | - | Filter housing | 1 |
| 9 | 9422041 | Ventilation filter | 1 |
| 10 | 9422042 | Cover f/ventilation filter | 1 |
| 11 | - | Seal <i>Included in 9421188</i> | 1 |
| 12 | 7621789 | Hose clamp | 1 |
| 13 | 9022043 | Filter hose | 1 |
| - | 9421188 | Seal kit filter <i>Pos. 3, 5, 7 and 11</i> | 1 |
| - | 8421092 | Filter complete <i>Pos. 1-13</i> | 1 |

HPP13D spare parts list

From Serial No. 8264-14391

Fig. 6



| Pos. | Part No. | Description | Pcs. |
|------|----------|---|------|
| 1 | 8721584 | Cooler pressure hose | 1 |
| 2 | 7621047 | Screw M8x90 | 3 |
| 3 | 7421582 | Fitting 1/2"x3/4" | 2 |
| 4 | 8221121 | Plate | 1 |
| 5 | 8321093 | Cooler \varnothing 280-12 | 1 |
| 6 | 8221112 | Bracket for cooler | 1 |
| 7 | 7521118 | Seal ring 3/4" | 2 |
| 8 | 8221116 | Plate | 1 |
| 9 | 8221086 | Distance tube \varnothing 12x1.5 | 1 |
| 10 | 7621010 | Lock nut M8 | 3 |
| - | 2121103 | Cooler complete <i>Pos. 2, 4, 5, 6, 8, 9, 10</i> | 1 |